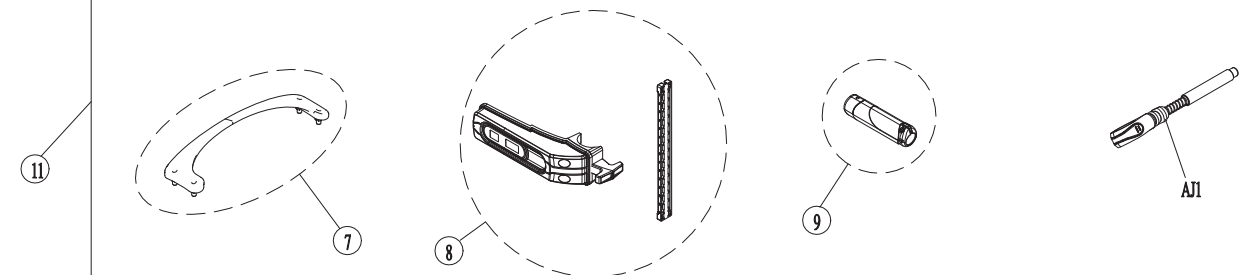
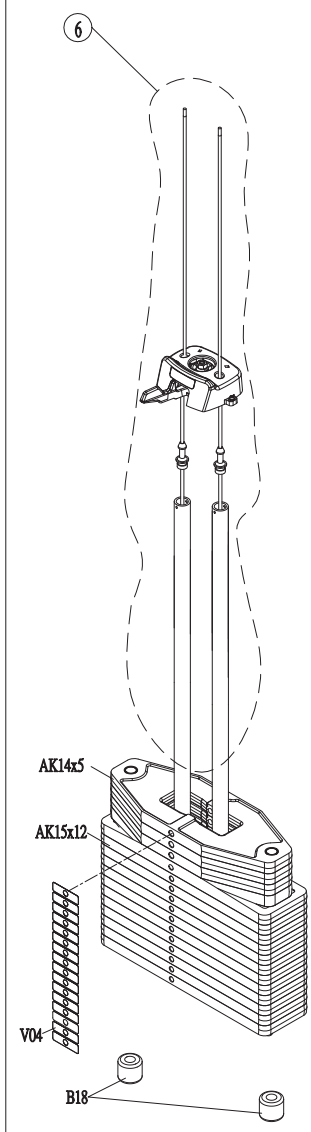


| | | | |
|------------|------------------------------------|------|------------|
| DRAWING NO | PVSGM65-KM | | |
| PART NAME | Explosive Diagram | | |
| PART NO | MGM0400-00 <small>REV. 2</small> A | | |
| APPROVE | SuYehua | DATE | 2021.10.27 |

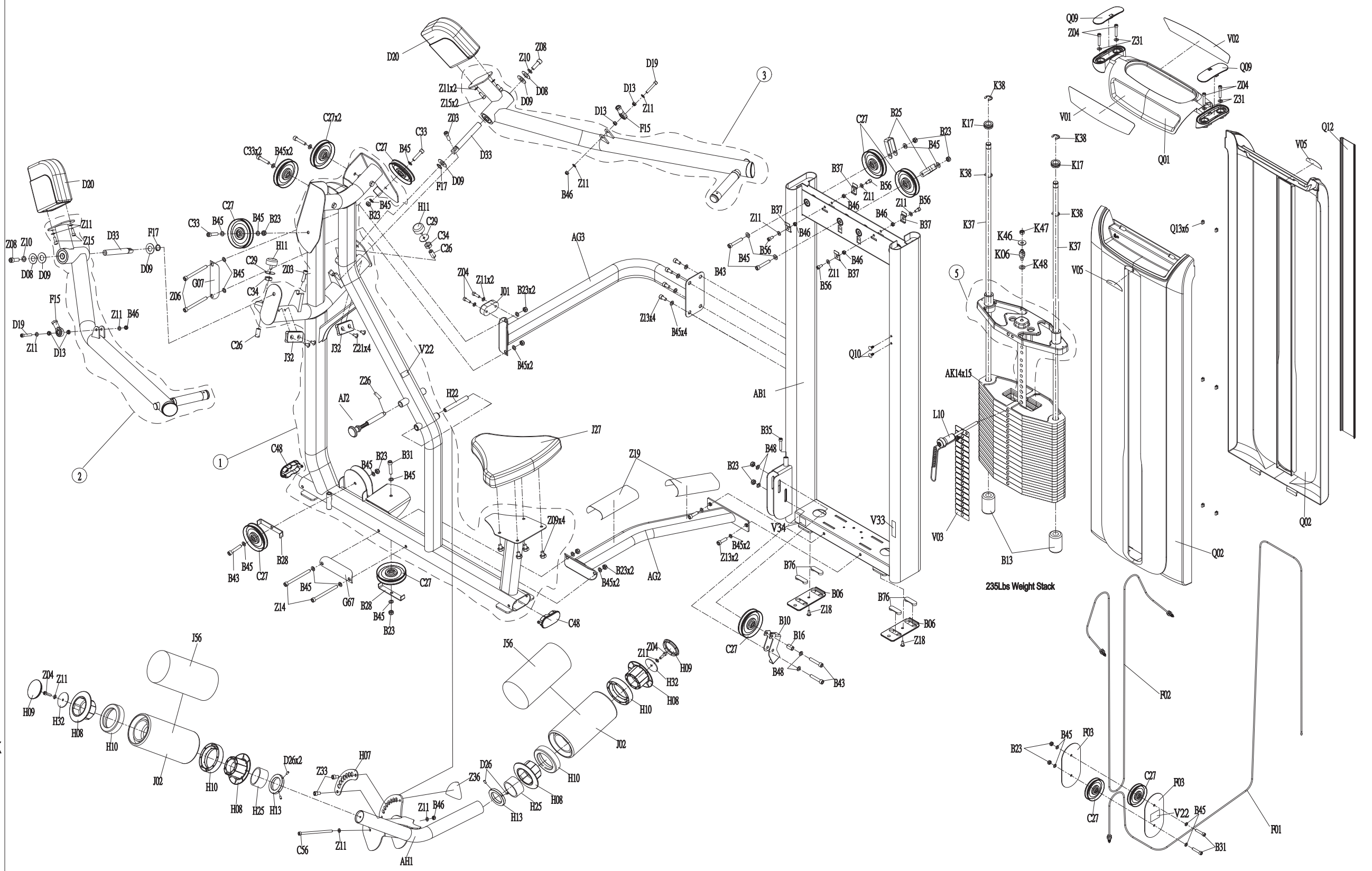
Optional Premium Kit Componets



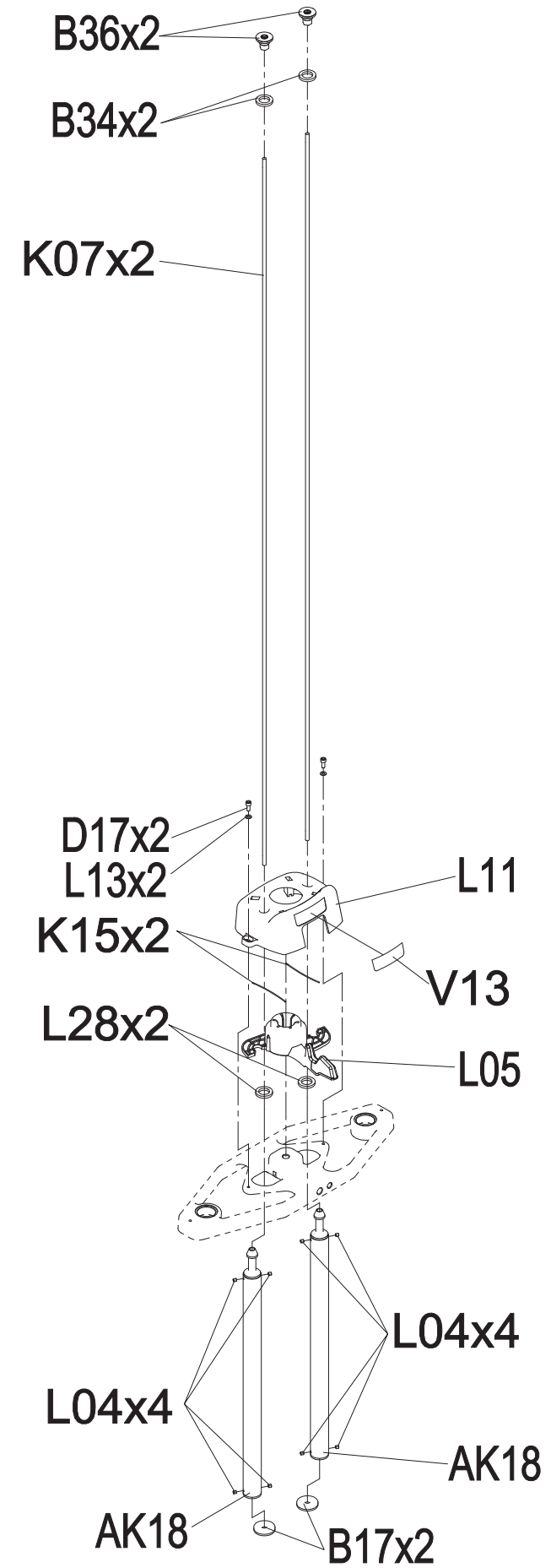
Increment Weight



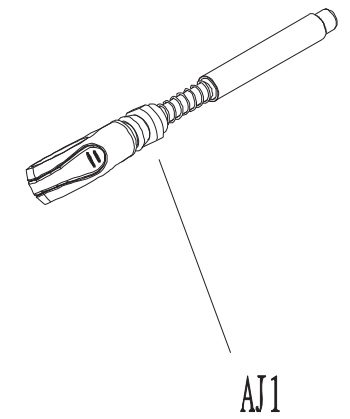
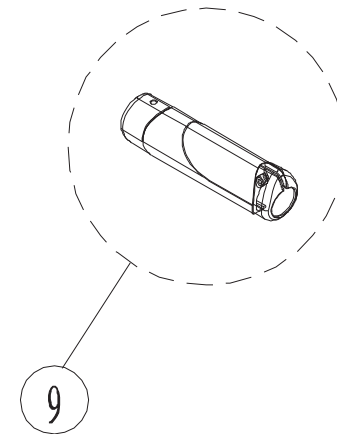
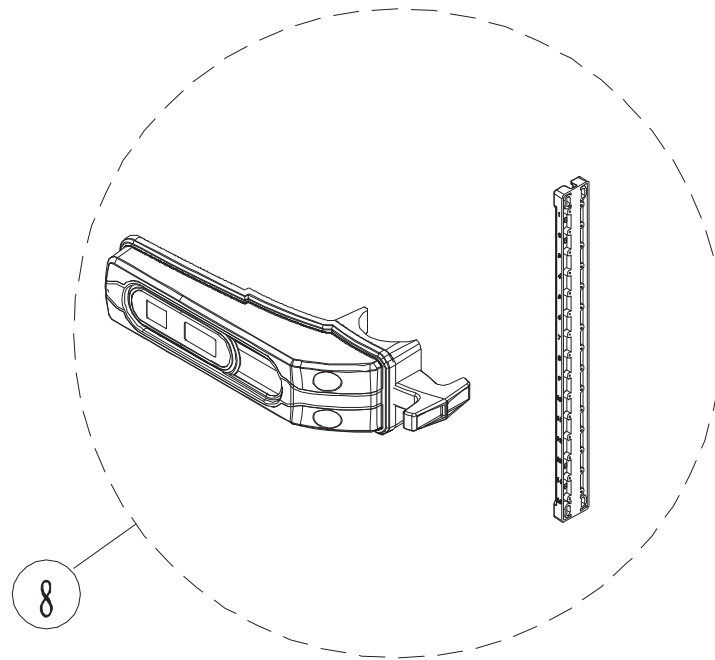
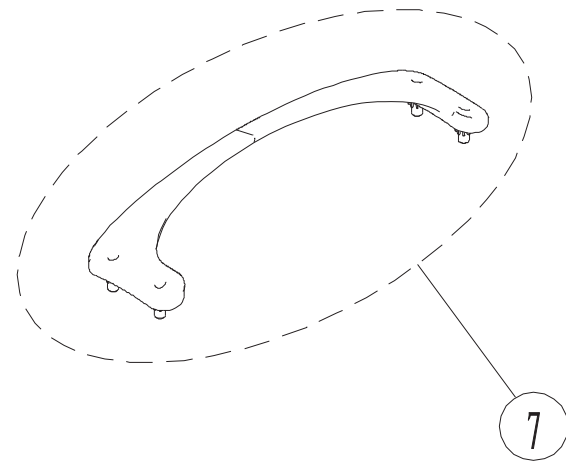
322Lbs Weight Stack



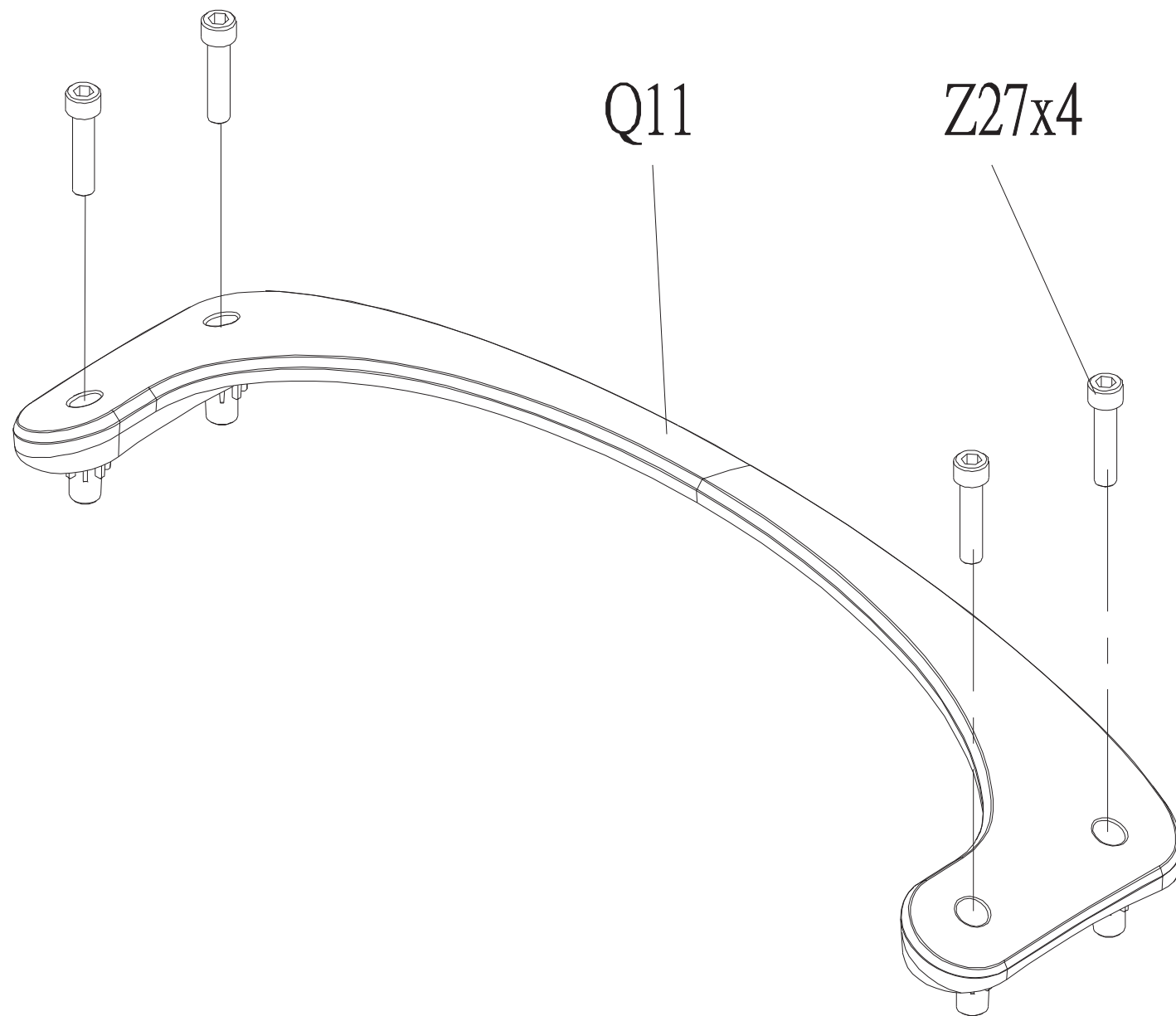
| | | | |
|------------|------------------------|------|------------|
| DRAWING NO | GM59-SF05 | | |
| PART NAME | Part Explosive Diagram | | |
| PART NO | 1000113110 | REV | A |
| APPROVE | SuYehua | DATE | 2023.06.06 |



| | |
|------------|---|
| DRAWING NO | |
| PART NAME | PREMIUM SET |
| PART NO | 1000390815 <small>REV</small> A |
| APPROVE | Taoyongchun <small>DATE</small> 20180713 |



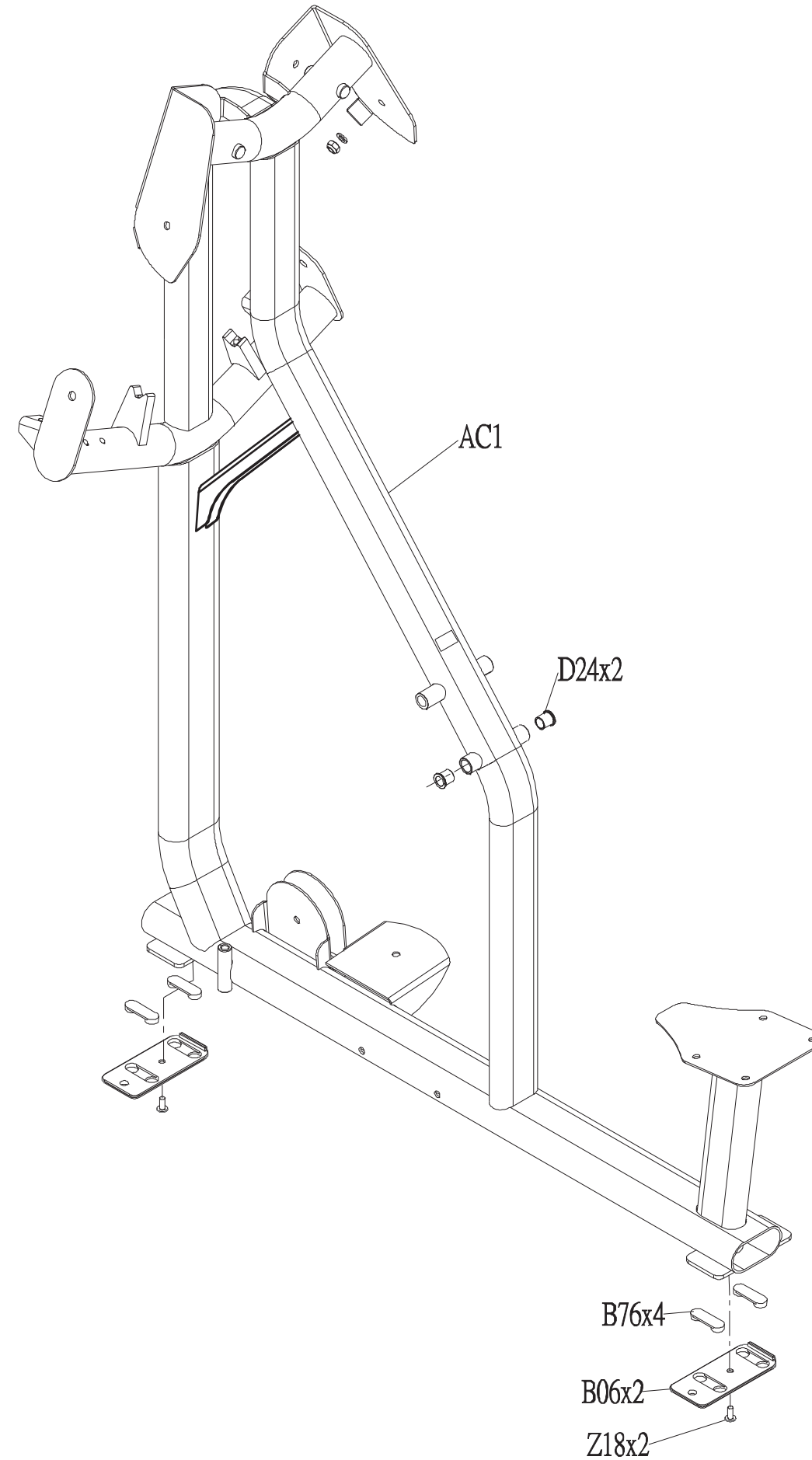
| | | | |
|------------|------------|------|----------|
| DRAWING NO | GM59-SF06 | | |
| PART NAME | Shield Set | | |
| PART NO | See Chart | REV | A |
| APPROVE | Chenyng | DATE | 20200121 |



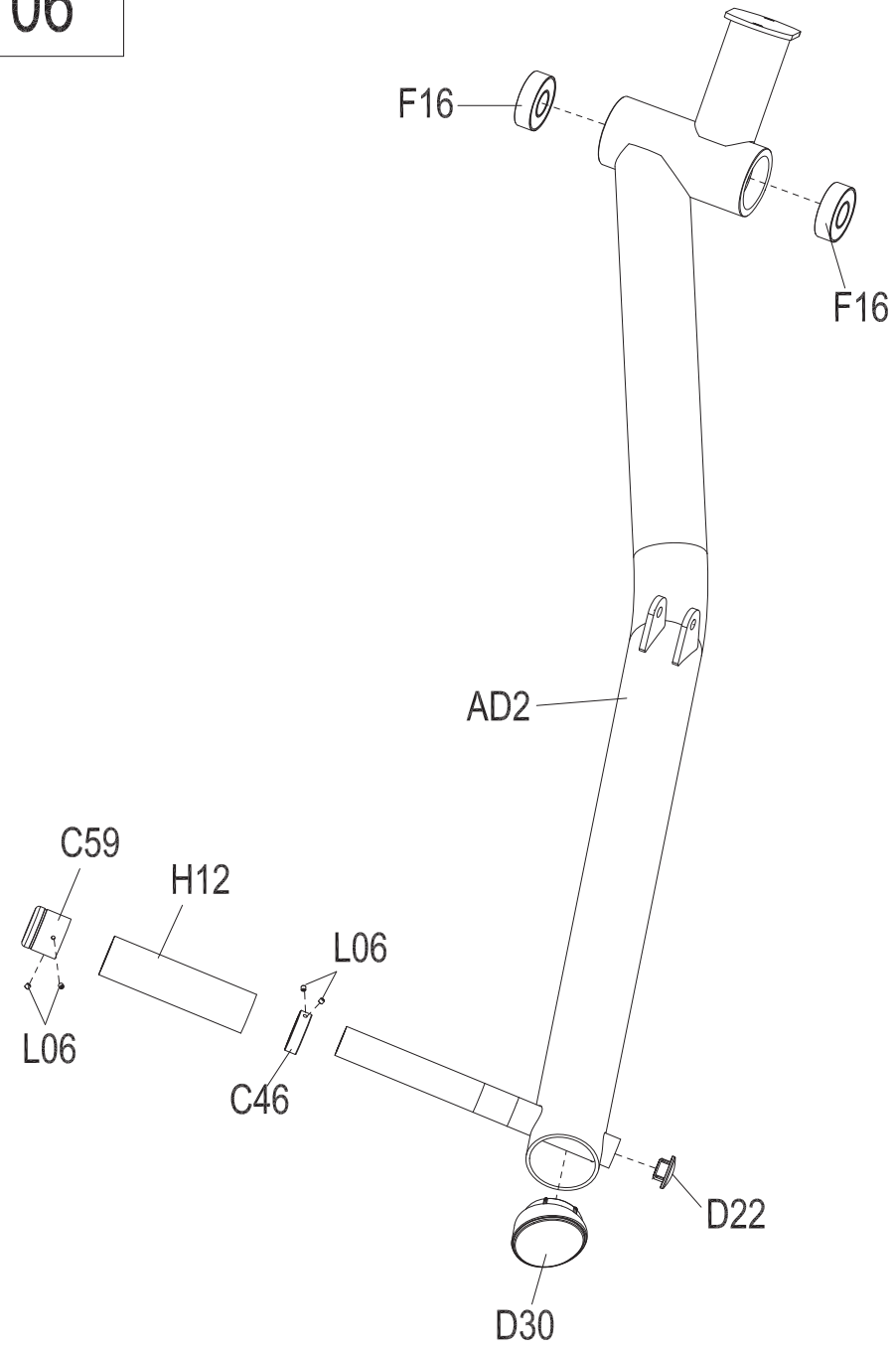
| SAP NO. | Colour |
|------------|---------------|
| 1000220477 | Bright Silver |
| 1000437988 | Black Matte |
| 1000444719 | Golden |

| | | | |
|------------|----------------|------|------------|
| DRAWING NO | GM65H-SF01 | | |
| PART NAME | User frame set | | |
| PART NO | See Chart | REV | A |
| APPROVE | Sam | DATE | 2020.02.25 |

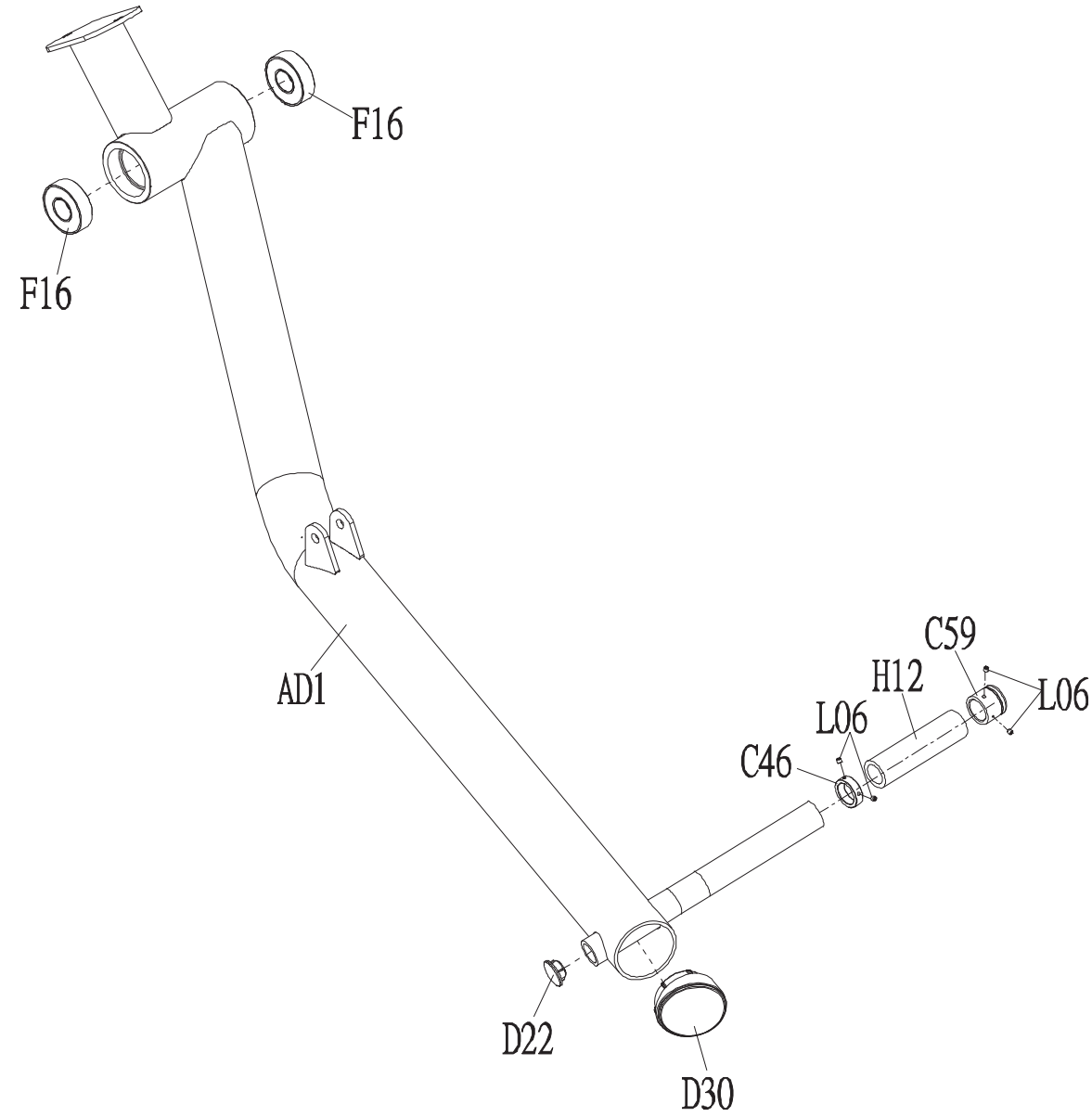
| Colour | Part NO. |
|-------------|------------|
| Black Matte | 1000406593 |
| Iced Silver | 1000227600 |
| Blue PT300C | 1000449404 |



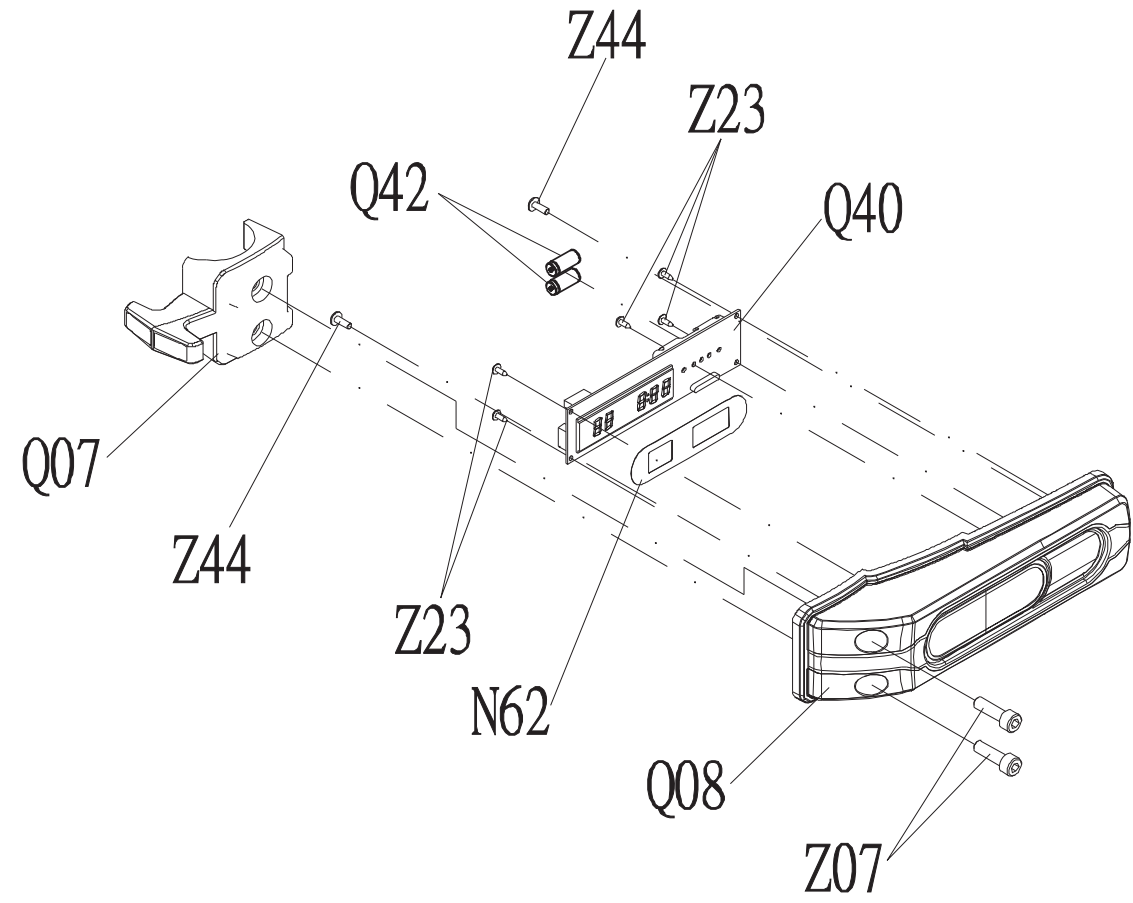
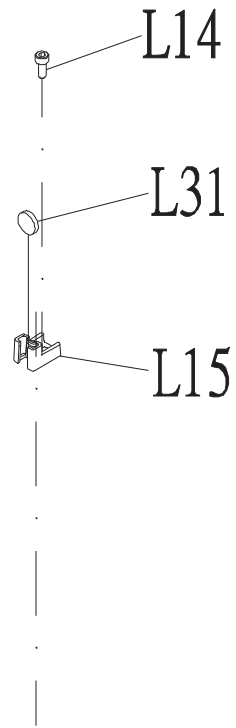
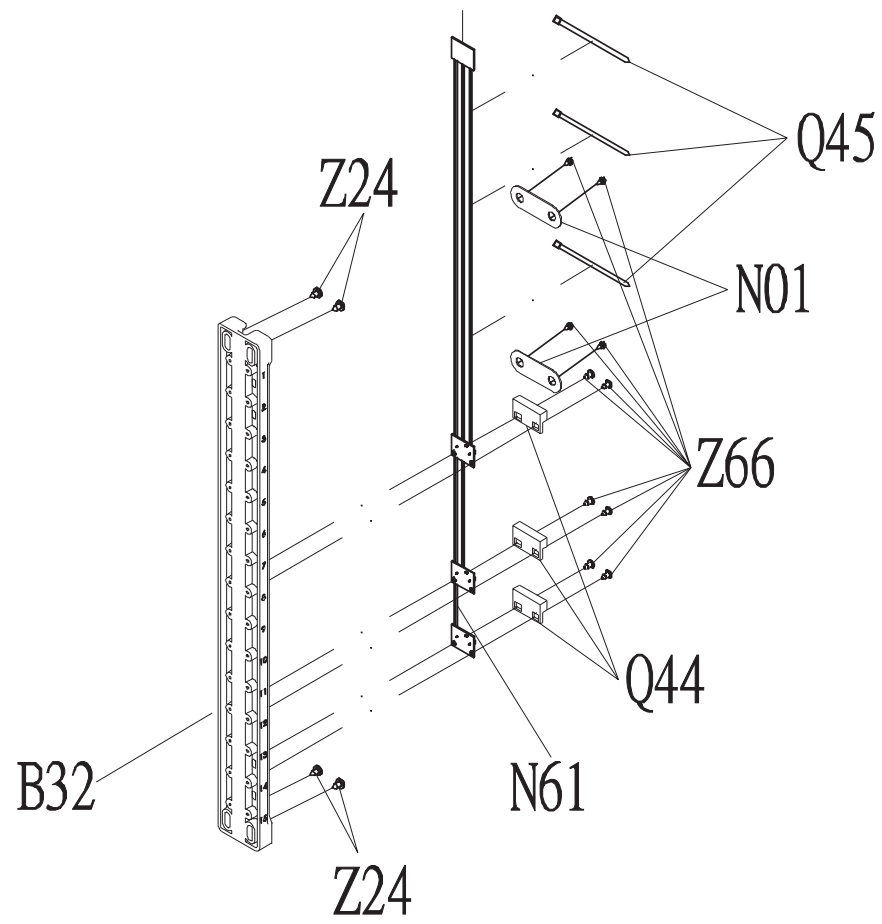
| | | | |
|------------|--------------|------|---------|
| DRAWING NO | | | |
| PART NAME | RIGHT ARM | | |
| PART NO | 1000227601 | REV | A |
| APPROVE | CINDY | DATE | 2012106 |




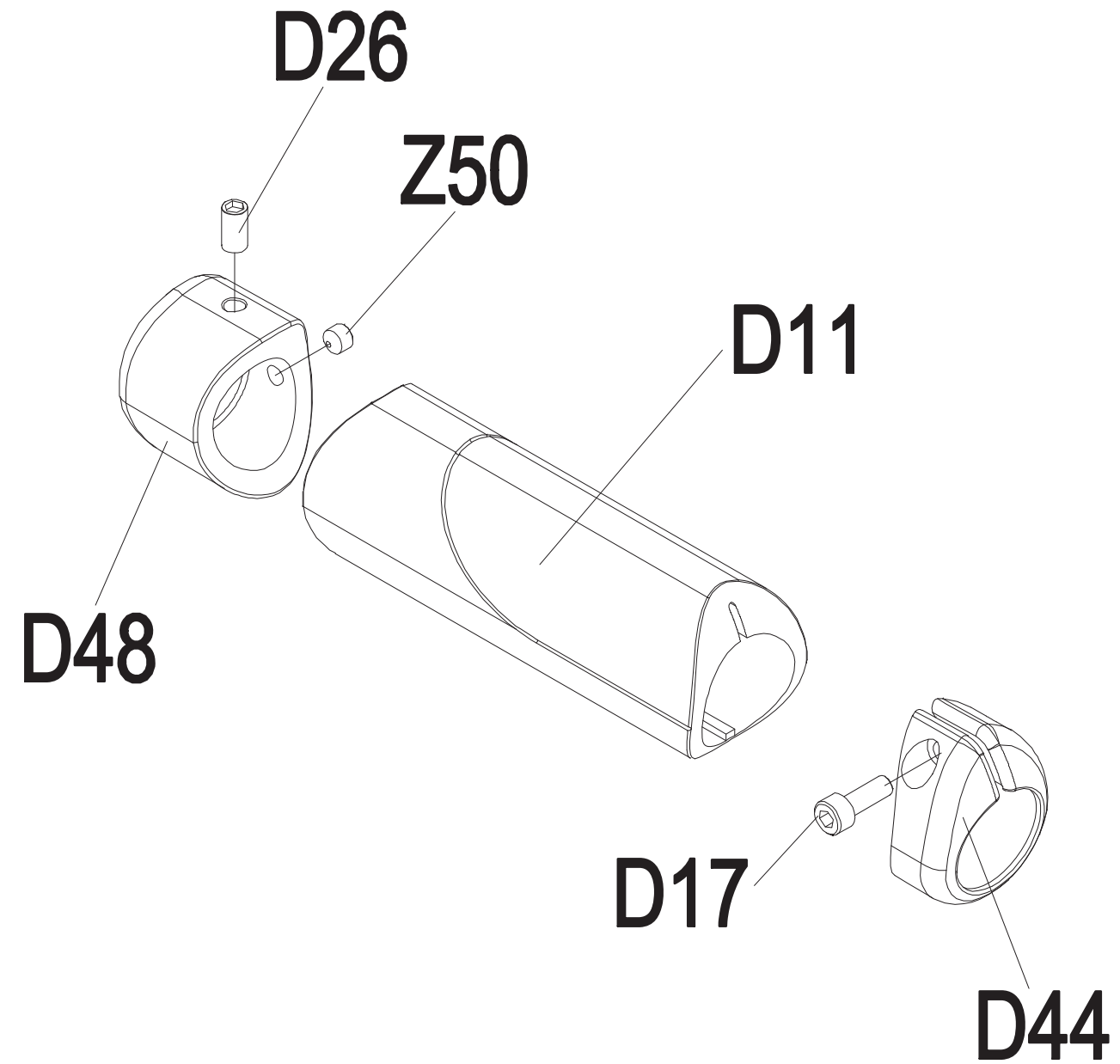
| | | | |
|------------|--------------|------|---------|
| DRAWING NO | | | |
| PART NAME | LEFT ARM | | |
| PART NO | 1000227602 | REV | A |
| APPROVE | CINDY | DATE | 2012106 |



| | | | |
|------------|------------------------|------|------------|
| DRAWING NO | GM64-SF08 | | |
| PART NAME | SENSE ORGAN SET;;right | | |
| PART NO | 1000390201 | REV | A |
| APPROVE | LIUSHUO | DATE | 2018.07.20 |

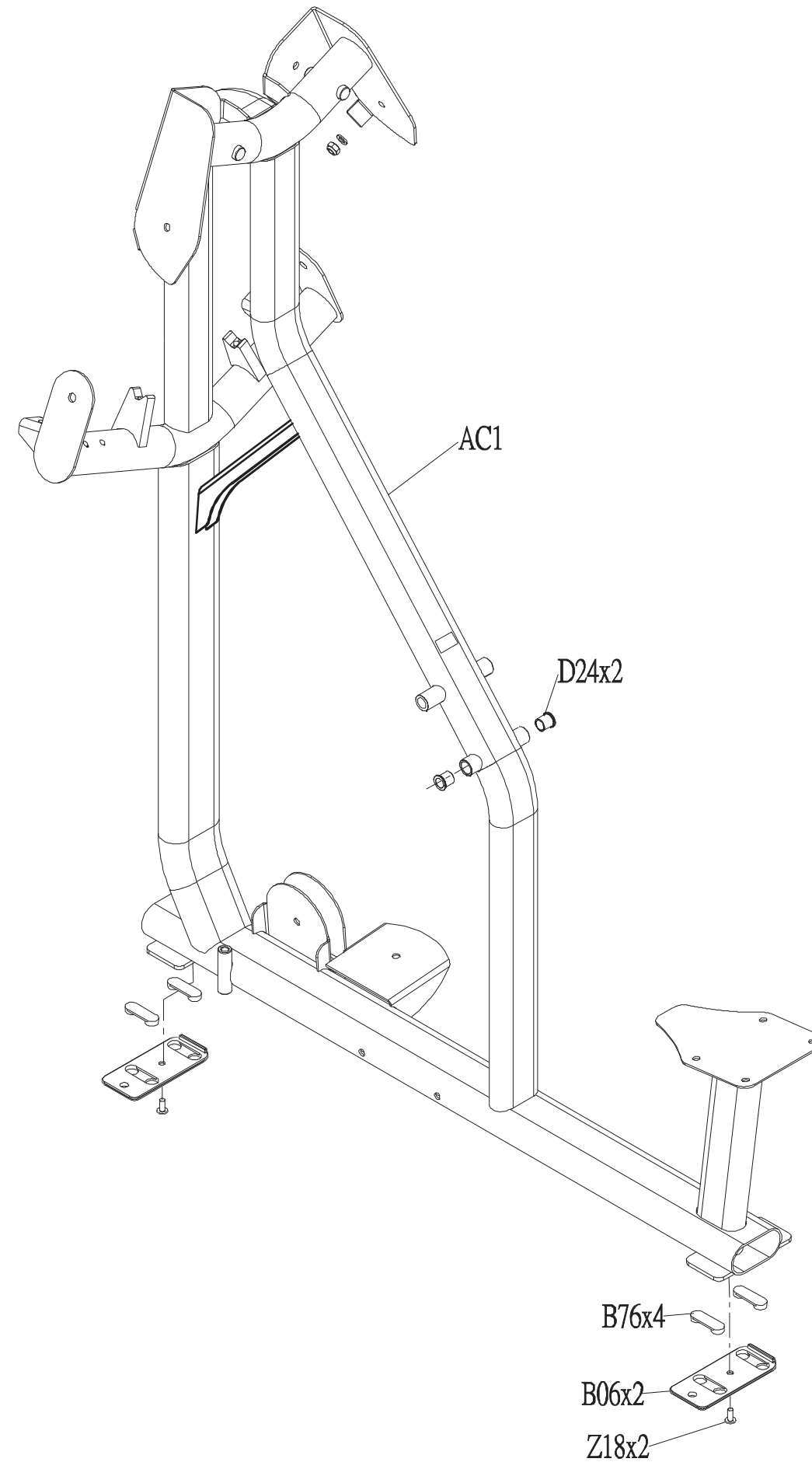


| | | | |
|------------|------------------------|---|------------|
| DRAWING NO | GM114-SF04 | | |
| PART NAME | Part Explosive Diagram | | |
| PART NO | 1000402131 |  | A |
| APPROVE | SuYehua | DATE | 2021.10.21 |

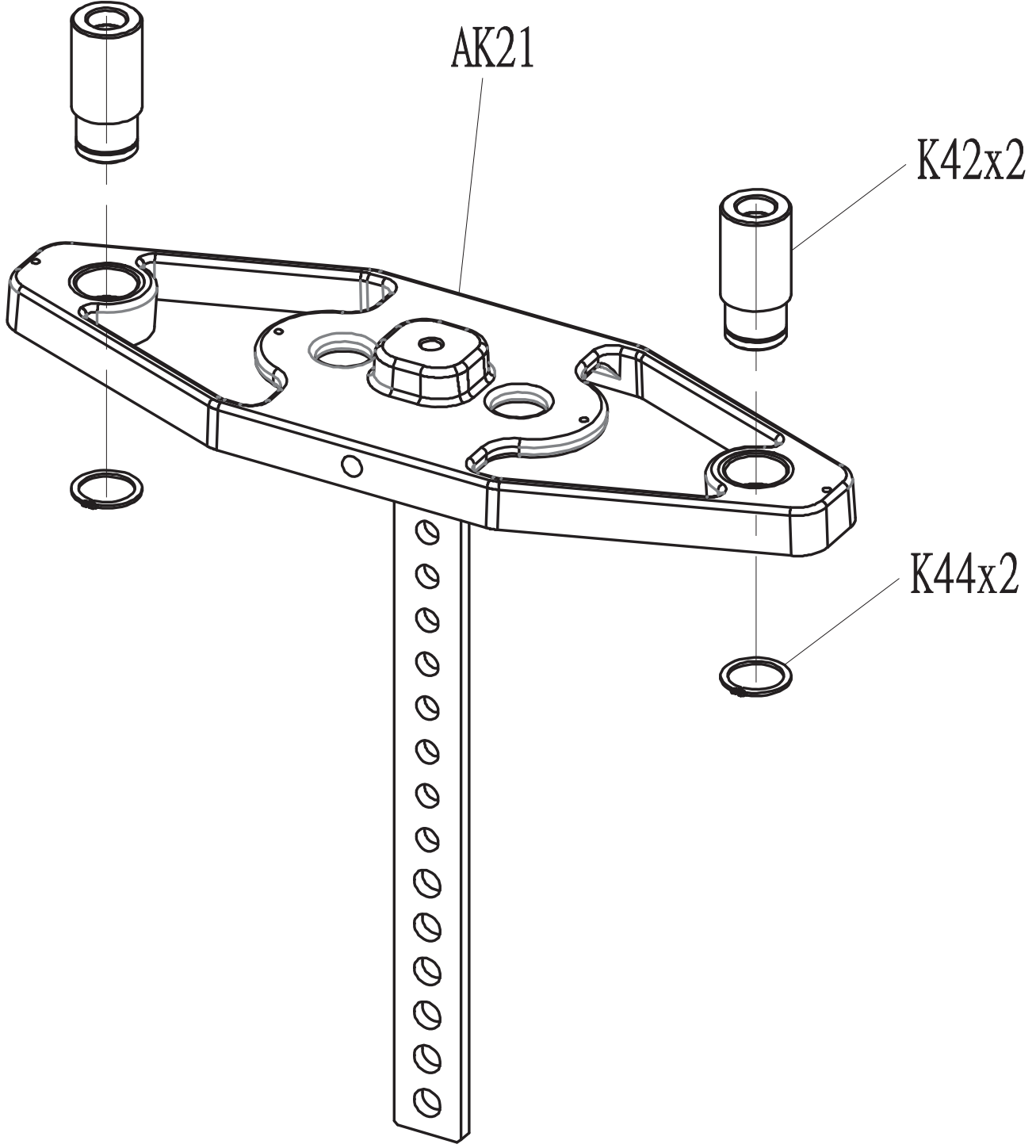


| | | | |
|------------|----------------|------|------------|
| DRAWING NO | GM65H-SF01 | | |
| PART NAME | User frame set | | |
| PART NO | See Chart | REV | A |
| APPROVE | Sam | DATE | 2020.02.25 |

| Coulour | Part NO. |
|-------------|------------|
| Black Matte | 1000406593 |
| Iced Silver | 1000227600 |
| Blue PT300C | 1000449404 |



| | | | |
|------------|------------------|------|------------|
| DRAWING NO | GM59-AK23 | | |
| PART NAME | Select the group | | |
| PART NO | 1000448863 | REV | A |
| APPROVE | WangTao | DATE | 2020.01.03 |



| Bubble # | OEM Number | Description | Notes |
|----------|------------|---|--|
| 1 | 1000227600 | USER FRAME SET SA - GM65## - - | |
| 10 | 1000217204 | PIN SET R SA (PREMIUM) GM70-KM | Premium version of Kit 4. |
| 11 | 1000220562 | PREMIUM LEVEL SA - GM65 - - | Includes all Premium Level Parts (Kits 7-10). |
| 2 | 1000227602 | PEDAL ARM SET SA L GM65## - - | |
| 3 | 1000227601 | PEDAL ARM SET SA R GM65## - - | |
| 4 | 1000305793 | Pin set Semi-Assy FW212-KM | Order Kit 10 for Premium. |
| 5 | 1000207217 | Wps Superstratum GM59 | |
| 6 | 1000113110 | Assistant Weight Plate Set GM59-KM | Kit works with both light and heavy weight plate stacks. |
| 7 | 1000220477 | PREMIUM - SHIELD SET U GM59 - | |
| 8 | 1000390201 | PREMIUM - REP COUNTER right GM61/GM64/GM65/ | |
| 9 | 1000108698 | PREMIUM - Grip Set Arm GM42 | 2 per unit. |
| AB1 | 1000227599 | FRAME SET SA - GM65## - - | |
| AG2 | 1000227606 | LINK SET SA D GM65## - - | |
| AG3 | 1000227605 | LINK SET SA U GM65## - - | |
| AH1 | 1000227603 | ADJUST SET SA - GM65## - - | |
| AK14 | 1000215776 | WPS set axle sleeve - Extrawork,15LBS GM | 15lb Plate |
| AK15 | 1000211207 | WPS set - - Extrawork,21LBS GM64-KM | 21lb plate |
| AK21 | 1000207218 | Wps Set Superstratum Paint GM59 | Kit works with both light and heavy weight plate stacks. |
| B06 | 1000303546 | Plastic Pad Foot Pad - PP BL427 | |
| B10 | 1000230611 | SUPPORT PLATE WHEEL SPHC CHM GM59 | |
| B13 | 1000112985 | Elastomer Weight Plate GM59 | |
| B16 | 1000108501 | Bushing CON Rod Peadel Arm painting GM40 | |
| B17 | 1000112984 | Elastomer Assistant Weight Plate GM59 | |
| B18 | 1000200252 | RUBBER STOPPER - GM59 | |
| B23 | 1000105174 | Nut Nylon M10x1.5P G12.9 CHM | |
| B25 | 1000204728 | FIXING PLATE ROPE WHEEL SPHC GM59-KM | |
| B28 | 1000102592 | Stopper Plate Pulley Painting GM40 | |
| B31 | 1000108189 | Screw RND M10x1.5Px50L-15L MT HS CST CHM | |
| B32 | 1000096026 | Fixing Base Sensor ABS GM40 | |
| B34 | 1000215843 | PLASTIC PLATE FRAME CR - | |
| B35 | 1000230891 | SCREW SET M10X1.5PX65L FLATHEADED HS C | |

| | | |
|-----|------------|---|
| B36 | 1000215844 | Guide Rod fitting, Chromed |
| B37 | 1000221624 | BLOCK - - PAINTING - - - |
| B43 | 1000108796 | Screw RND M10x1.5Px55L HS CHM BP G12.9 |
| B45 | 020465-AB | Washer Flat M10.2X25PX2.0T Chromed |
| B46 | 004929-00 | Nut Nylon M8x1.25P Chromed |
| B48 | 005144-AC | Washer Flat 10.2X35.0X2.0T Chromed |
| B56 | 020078-Z | SCREW SH M8X1.25PX16L HS BAN BP |
| B76 | 1000233200 | PLASTIC COVER NBR BL |
| C26 | 1000209557 | Pillar Buffer - 20# Chrome PGM59-KM |
| C27 | 073573 | Pulley 115mm |
| C29 | 082535 | WASHER FLT Diam.8.2XDiam.38.0X2.0T SPHC |
| C33 | 028632-AB | Screw Hex Socket Round M10x1.5Px45L Cr |
| C34 | 1000224119 | NUT HX M16X2.0PX10T G12.9 CHM Adjustment Grip Set - APPLY RED LOCTITE TO PIN THREADS |
| C35 | 096165 | WHEN INSTALLING REPLACEMENT HANDLE |
| C39 | 1000102675 | Stopper Block Pull Pin GM43 |
| C40 | 1000358938 | Spring Compression 1.2x12.9x65Lx12N 65 |
| C46 | 009356-B | Stopper Mast Foam AL6061 GM03 |
| C47 | 1000205448 | PLASTIC COVER - - - GM59 |
| C56 | 049250-00 | SCREW SH M8X1.25PX150L HS ZN |
| C59 | 009371-E | Cap Grip GM03 |
| D08 | 1000207188 | WASHER DSP Diam.20.4XDiam.40.0X1.5T 50CR |
| D09 | 1000207189 | SHIM BEARING - SPHC - - Cr |
| D12 | 096208 | Adjustment Handle Lower Stopper Ring |
| D13 | 1000113066 | Space Mass Mast Bearing 20# Chromeplate |
| D15 | 096209 | Cap Grip Peadal Arm ADC12 GM42 |
| D17 | 1000108801 | Screw RND M5x0.8Px15L HS CHM BP G8.8 |
| D19 | 004525-00 | Screw Hex Socket Round M8x1.25Px50L |
| D20 | 1000216132 | BALANCE PLATE - 14.5KG - - HT200 |
| D22 | 1000107585 | End Cover Grip GM57-KM |
| D24 | 1000096014 | Bushing 15x19x20T GM40 |
| D26 | 020329-00 | Set Screw M6X1.0PX12L |
| D30 | 1000096996 | Cap Three PP GM40 |
| D33 | 1000113020 | Mandrel Whirl Arm 20# GM59 |

| | | |
|-----|------------|---|
| F01 | 1000207176 | STEEL ROPE C Diam.5.6X4105.0L GM65 |
| F02 | 1000207177 | STEEL ROPE D Diam.5.6x3324L |
| F03 | 1000226806 | DRIVE SET SA GM63 SERVE |
| F15 | 004133-00 | Bearing Lower Link Arm End PHS 12(M12x1.75P) Huei |
| F16 | 1000106750 | BEARING BALL 6204ZZ #20x#47x14T TPI |
| F17 | 005365-00 | C-Clip External S-20 |
| G17 | 1000228973 | FIX SET SA GM68 |
| G67 | 1000215741 | FIXED SET - RD PAINTING - - GM63 |
| H07 | 1000216908 | ADJ PLATE - - SPHC 3.0T GM65 |
| H08 | 1000095593 | Cap Leg Pad ABS GM42 |
| H09 | 1000095594 | Cap Leg Pad ABS GM42 |
| H10 | 100995 | Stopper Ring Leg Pad ABS GM42 |
| H11 | 1000487589 | Stopper Block SBR BL/Black C FW202 |
| H12 | 1000209696 | FOAM HANDLEBAR Diam.34X5.0TX120L GM61-KM |
| H13 | 096074 | Stopper Ring Cap AL6061 GM42 |
| H22 | 1000207164 | AXLE, SWIVEL 42CRMO - - |
| H25 | 1000304394 | Bousing Round Pad - PVC 60x52x30.1L GM |
| H32 | 096073 | CON Plate Cap SPHC3.0t GM42 |
| J01 | 096417 | Stopper Pad Black PL09 |
| J32 | 1000226827 | Elastomer Plastic |
| K06 | 1000113106 | Tightwire Fix Pin 45# GM59 |
| K07 | 1000113102 | Guide Rod SUS304 Diam.6X1421.7 GM59 |
| K15 | 1000204997 | Steel Weight Plate Up 1080 Spring Steel |
| K17 | 1000202352 | Cushion Guide Rod |
| K37 | 1000209625 | GUIDE ROD 45 - WEGHT PLATE |
| K38 | 1000102915 | Circlip E Type E-15 Cr Plate |
| K42 | 1000215659 | BUSHING GUIDE ROD POM |
| K44 | 1000102912 | Circlip External C Type S-30 BED |
| K47 | 004945-00 | Nut Nylon M12x1.75P Chromed |
| L01 | 1000113111 | Incremental Weight Plate - GM59-KM - Pai |
| L02 | 1000113107 | Axis Sheath Leader GM59 |
| L03 | 1000211166 | PLASTIC BASE ADD WEIGHT PLATE POM GM5 |
| L04 | 1000210485 | SCREW SET M5X0.8PX6L FLAT POINT HS G8.8 |
| L05 | 1000200264 | GRIPE ABS+TPR GM59 |

| | | | |
|-----------|------------|--|--------------|
| L06 | 084241 | Screw Set M6X1.0PX5L BP POT | |
| L10 | 1000201802 | PULL PIN SET WPS GM62 - | |
| L11 | 1000207213 | COVER INCREMENTAL WEIGHT ABS - - - | |
| L13 | 070571 | Washer Flat 5.2X10.0X1.5T CHM | |
| L15 | 1000209576 | PLASTIC BASE MAGNET ABS FIXING | |
| L28 | 1000224913 | Cushion Aaw Nbr BI | |
| L31 | 1000232864 | PERMANENT MAGNET - 1500## ## | |
| N61 | 1000229510 | WIRE DISPLAY BOARD -- OKI HARBOR 2.5- | |
| N62 | 1000096575 | Overlay Manipulate GM40 | |
| Not Shown | ZMS4003243 | Decal, QR, VS-S33 Div. Lat Pull | |
| Q01 | 1000113113 | Cover Up ABS GM59 | |
| Q02 | 1000113114 | Cover Front Clarity ABS GM59 | |
| Q03 | 1000113115 | Cover Back Clarity ABS GM59 | |
| Q07 | 1000209577 | PLASTIC BASE REP COUNTER - FIXING | |
| Q09 | 1000209593 | END CAP ACCENT | |
| Q10 | 1000224767 | Plastic Cover - - PP - - - - | |
| Q12 | 1000209591 | PLASTIC BAR - PVC - LABEL | |
| Q13 | 1000303486 | Clamp Cover - | |
| Q42 | ZMS4001255 | Battery, AA for console | |
| Q44 | 001679-00 | Tie Strap Adhesive Nylon 66 HC-101 W | |
| Q45 | 005811-00 | Cable Tie Nylon Black 160L | |
| R14 | 1000108801 | Screw RND M5x0.8Px15L HS CHM BP G8.8 | |
| V01 | 1000216923 | INSTRUCTIONAL LABE - - - FRONT | |
| V02 | 1000216924 | INSTRUCTIONAL LABE - - - REAR | |
| V03 | 1000215718 | SPEC LABEL 10 LB WEIGHT PLATE BLACK PC | 10lb labels. |
| V04 | 1000409123 | Direction Label Weight Plate 230lbs/140k | 15lb labels. |
| V05 | 1000215704 | MARKING GM59-KM | |
| V13 | 1000221799 | DIRECTION LABEL AAW - PC - | |
| Z03 | 004555-AB | Screw Hex Socket Round M10x1.5Px25L Cr A | |
| Z04 | 1000097206 | Screw SH M8X1.25PX25L HS CHM BP | |
| Z06 | 1000108798 | Screw SH M10X1.5PX105L HS CHM | |
| Z07 | 098577 | SCREW HEX M8X1.25X35L | |
| Z08 | 004554-A | Screw Round Hex Socket M12x1.75Px25L Chromed | |
| Z09 | 1000102584 | Screw Hex M10x1.5Px20L Cr Plate G12.9 | |

| | | |
|-----------|---------------------|---|
| Z10 | 005132-00 | Washer Flat 13x26x2.5T Chromed |
| Z11 | 005130-00 | Washer Flat 8.4x15.5x1.6T Chromed |
| Z13 | 1000231572 | SCREW SH M10X1.5PX20L HS BP CHM |
| Z14 | 1000104707 | Screw Hex Socket Round M8x1.5Px125L Adh |
| Z15 | 004482-AB | Screw Hex Socket Round M8x1.25Px20L Cr |
| Z18 | 004696-AB | Screw TH M8x1.25Px20L Hex Socket Chrom |
| Z19 | 1000216939 | Protective Adhesive |
| Z21 | 004561-00 | Screw Plain Hex Socket M8x1.25Px20L |
| Z23 | 020196-A | Screw Phillip BH Tapped 3x6L Zn-BL |
| Z24 | 004870-00 | Screw Plain Tapping Rail Lock 5x15L |
| Z26 | 1000215728 | DIRECTION LABEL SEAT ADJUSTABLE PC |
| Z27 | 020081-00 | Screw SH M8X1.25PX60L HS G12.9 |
| Z31 | 005047-00 | Washer Flat 8.2x20x1.8T Black Zinc |
| Z33 | 1000099593 | Screw SH M10X1.5PX12L HS CHM BP |
| Z36 | 101032 | Decal Leg Pad ADJ GM42 |
| Z44 | 1000104672 | Screw BH M5x0.8Px10L HS CST CST CST CHM |
| Z50 | 004855-AC | Set Screw M6X1.0PX4L |
| Z66 | 040816-A | Screw Phillip BH Tapped 3x8L |
| AC1 | Part of Kit 1 | BASE SET - - PAINTING - - GM65-KM |
| AD1 | Part of Kit 2 | PEDAL ARM - L PAINTING - - GM65 |
| AD2 | Part of Kit 3 | PEDAL ARM - R PAINTING - - GM65 |
| AK21 | Part of Kit 5 | Wps Set Superstratum Paint GM59 |
| C38 | Part of Kit 4 or 10 | AXLE, CENTRAL 45 - PULL PIN |
| D54 | Part of Kit 9 | Grip Pedal Arm wrap rubber GM42-KM |
| J02 | See Pad Matrix | Leg Pad Black Vesicant GM42 |
| J22 | Part of Kit 10 | RING SPHC PULL PIN |
| J23 | Part of Kit 4 | Pull Pin Handle TPP ORANGE GM59 |
| J27 | See Pad Matrix | Seat Set BL Semi-Assy GM40-KM |
| J56 | See Pad Matrix | Wear Cover |
| Not Shown | 1000207208 | Hardware Kit |
| Q06 | Part of Kit 8 | PLASTIC PAD DISPLAY TPE |
| Q08 | Part of Kit 8 | RenderingPLASTIC COVER COUNTER TPR |
| Q11 | Part of Kit 7 | GRIPEND TOP COVER - - - ADC12 |
| Q14 | Part of Kit 8 | PLASTIC BASE COUNTER TPR GM59-KM |

| | | | |
|-----|---------------|--|--|
| Q40 | Part of Kit 8 | UCB Matrix GM40 H102S1.60 | |
| Q48 | Part of Kit 8 | Fixing Base PC GM40 | |
| 10 | 1000209569 | PREMIUM - PIN SET SA ADJUSTABLE# GM59 | Discontinued - Premium version of Kit 4. |
| 4 | 1000209623 | PIN SET SA ADJUSTABLE#VALUE LINE# GM59 - | Discontinued - Order Kit 10 for Premium. |
| C40 | 005486-E | Spring SWP GM09 | Discontinued |
| G67 | 1000226805 | FIX SET SA GM63 SERVE | Discontinued |
| H11 | 090440 | Stopper BlockRubber GM30 | Discontinued |
| L01 | 1000215719 | BUSHING Q195 - AAW | Discontinued |
| Q13 | 1000209592 | CLAMP COVER TINNERMAN D43806-014 - - - | Discontinued |
| V04 | 1000215727 | DIRECTION LABEL WEIGHTPLATE#15LBS PC | Discontinued - 15lb labels. |